

Wive

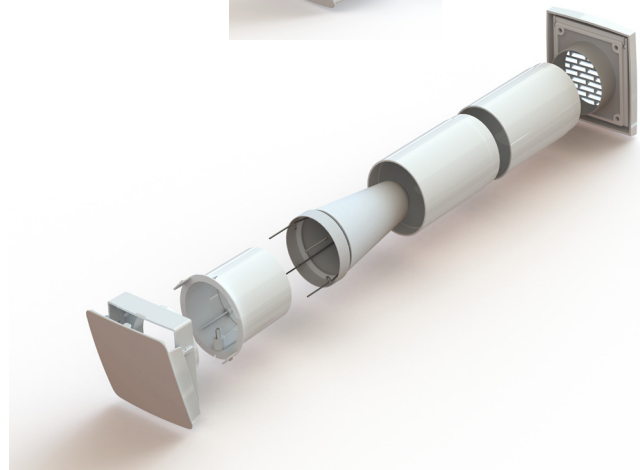
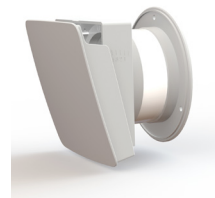
VILPE[®]
Innovative and Easy

Fresh indoor air with the intake vent

VILPE[®] WIVE



- Draft free design
- No additional maintenance required
- Filters contaminants from the air
- Fast and easy filter change
- Easy installation
- With or without thermostat
- Can be painted or wallpapered
- Silencer sold separately
- Models to be installed on the wall or on a window vent



> [VILPE.COM](https://www.vilpe.com)

No draft design

VILPE Wive intake vent brings fresh outdoor air into the building. The vent is designed to prevent uncomfortable draft as the air flow is directed upwards, where the fresh air mixes with the warm indoor air. This will keep the room temperature at an ideal level without the sense of draft. The intake vent's cover is insulated to prevent condensation.

Use & installation

VILPE Wive intake vent is suitable for both new buildings and renovation projects. It can be used in detached houses, multi-apartment houses and row houses. The intake vent is installed on a wall or on a window vent. The VILPE Wive vent can also replace an old air intake vent. Installing VILPE Wive is quick and easy as no coupling or wiring is necessary. The intake vent can be purchased with or without a thermostat. The vent can be completely closed, for instance in case of a fire in the area.

- The VILPE Wive intake vent with thermostat is only used in buildings with passive ventilation. The thermostat adjusts automatically to the outdoor temperature by gradually closing the vent at colder temperatures. The lid is completely open when outside temperature is 20°C and it closes when outside temperature is -5°C. Still it allows some air to flow.
- The VILPE Wive intake vent without thermostat suits buildings with mechanical ventilation.



Modifiable appearance

The visual look of the white air intake vent is easily modified. The product can be wallpapered or painted to fit the interior of the room.

The high-quality filter of VILPE WIVE effectively prevents contaminants like dust and pollen from entering the building. Changing the filter is quick and easy as no tools are necessary. Other maintenance is not required. Silencer can be purchased separately.

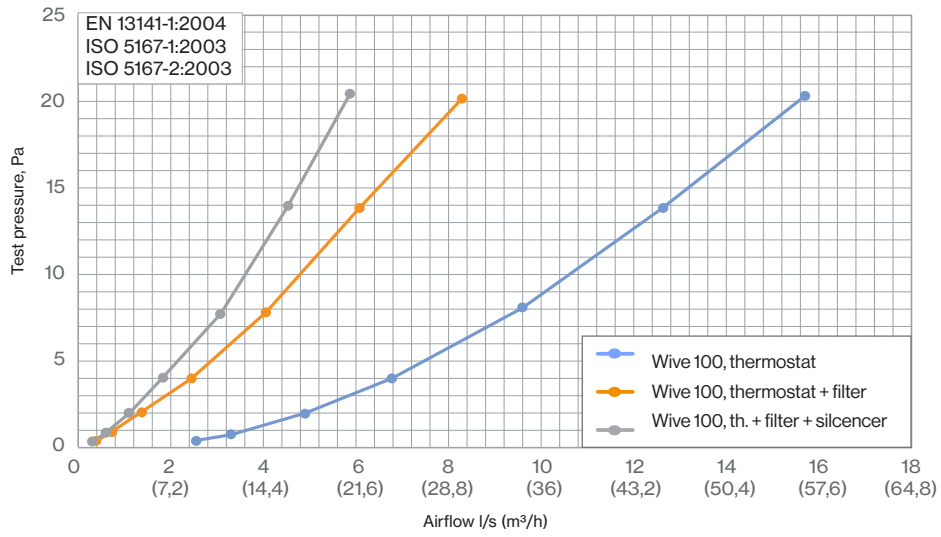
Product numbers

VILPE Wive 100 intake vent set + thermostat	380000
VILPE Wive 100 intake vent set	380010
VILPE Wive 100 intake vent silencer	380023
VILPE Wive 100 intake vent filter (5 pcs)	380022
VILPE Wive 100 extension tube	380060
VILPE Wive 100 intake vent set for window vent + thermostat	380070
VILPE Wive 100 intake vent set for window vent	380080

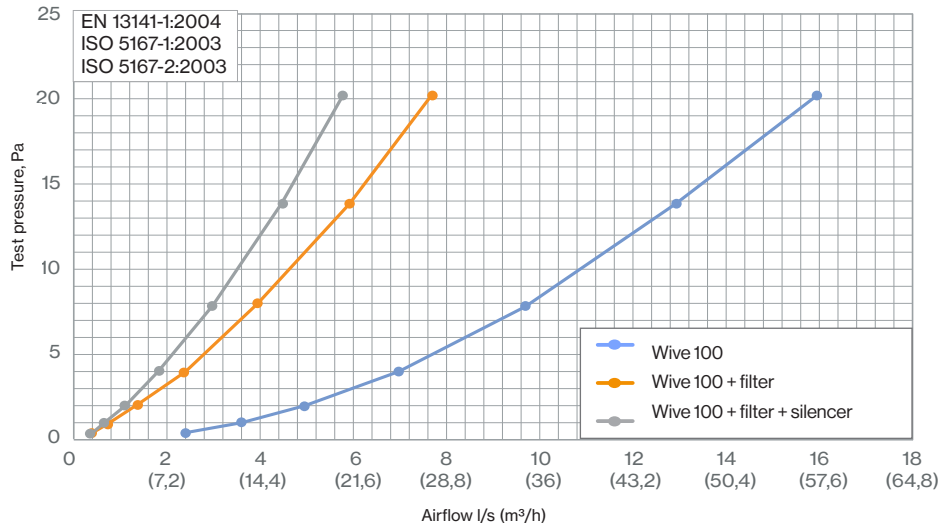


Flow performance

Wive 100 with thermostat, lid fully open



Wive 100 lid fully open



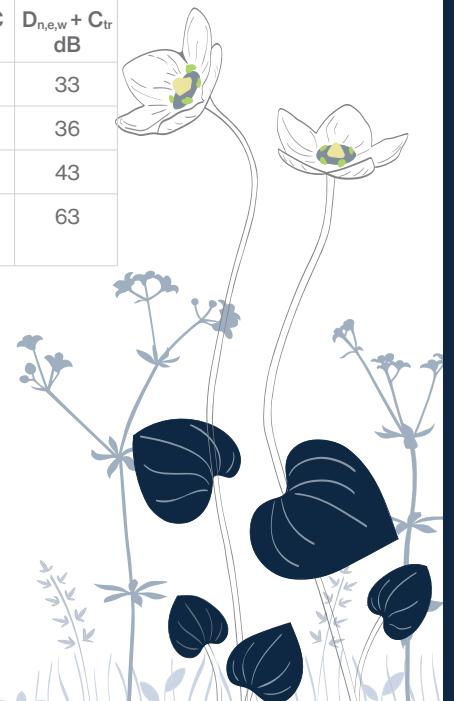
VILPE WIVE 100 sound insulation

ISO 10140:2010
ISO 717-1:2013

Type	$D_{n,e,w}$ dB	$D_{n,e,w} + C$ dB	$D_{n,e,w} + C_{tr}$ dB
Wive + thermostat	35	34	33
Wive + thermostat + silencer	37	37	36
Wive + thermostat + silencer; Closed	45	44	43
Intact test wall 300mm (2 x plasterboard / insulation wool / 2 x plasterboard)	68	67	63

Wive

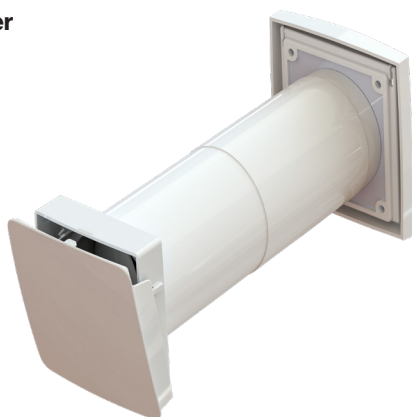
> VILPE.COM



VILPE Wive 100 intake vent + thermostat

Product number

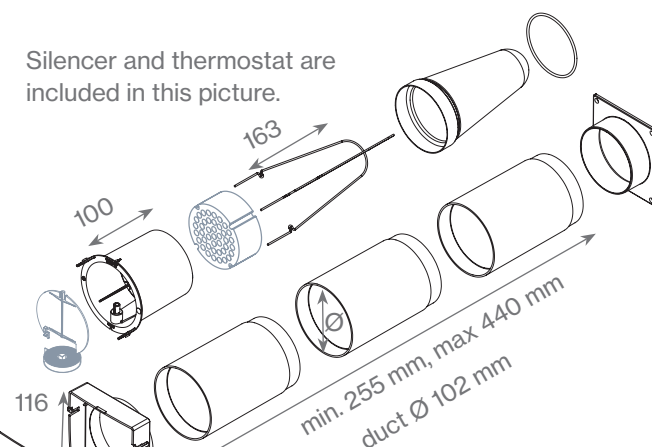
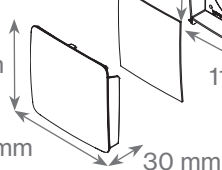
380000



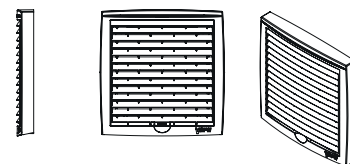
Silencer and thermostat are included in this picture.

Package includes

- VILPE Wive 100 intake vent
- High quality M5 class filter (1 pcs)
- Thermostat
- White VILPE Multifunction grille 150x150
- All screws and plugs needed for installation



Multifunction grille
150x150 mm

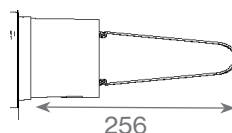
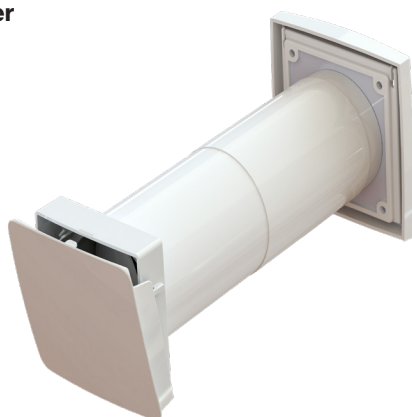


Silencer and replacement filters sold separately.
Extension tube 120 mm available. Multifunction grilles sold separately in light or dark grey, black, red or beige.

VILPE Wive 100 intake vent

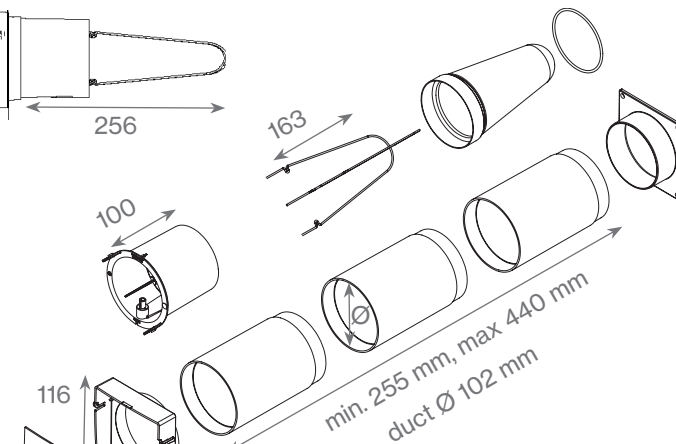
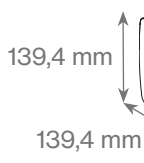
Product number

380010

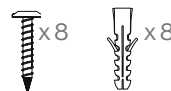
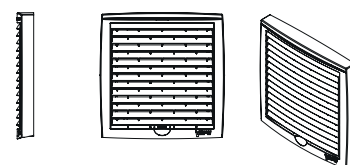


Package includes

- VILPE Wive 100 intake vent
- High quality M5 class filter (1 pcs)
- White VILPE Multifunction grille 150x150
- All screws and plugs needed for installation



Multifunction grille
150x150 mm

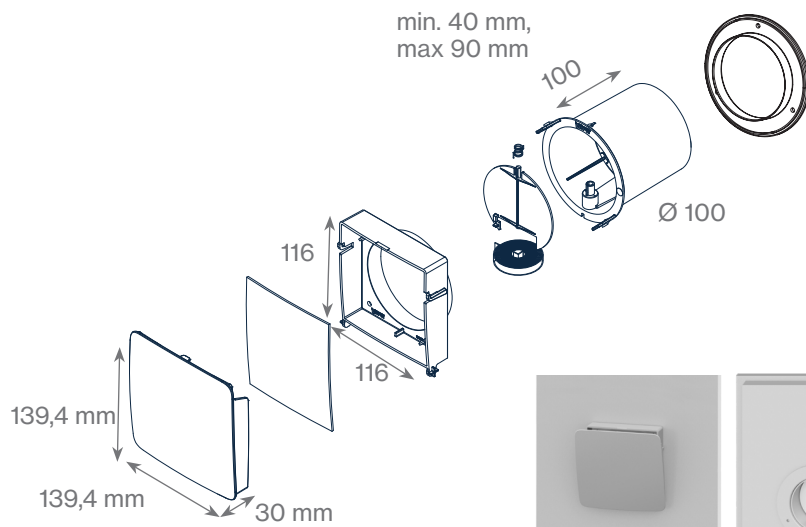
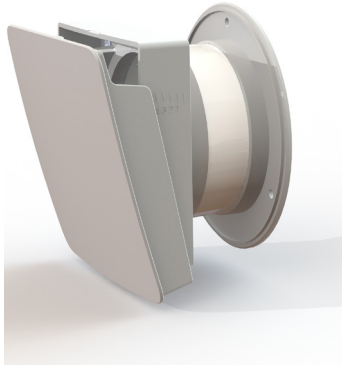


Silencer and replacement filters sold separately.
Extension tube 120 mm available. Multifunction grilles sold separately in light or dark grey, black, red or beige.

VILPE Wive 100 for window vent + thermostat

Product number

380070



Package includes

- VILPE Wive 100 intake vent
- Thermostat
- All screws and plugs needed for installation



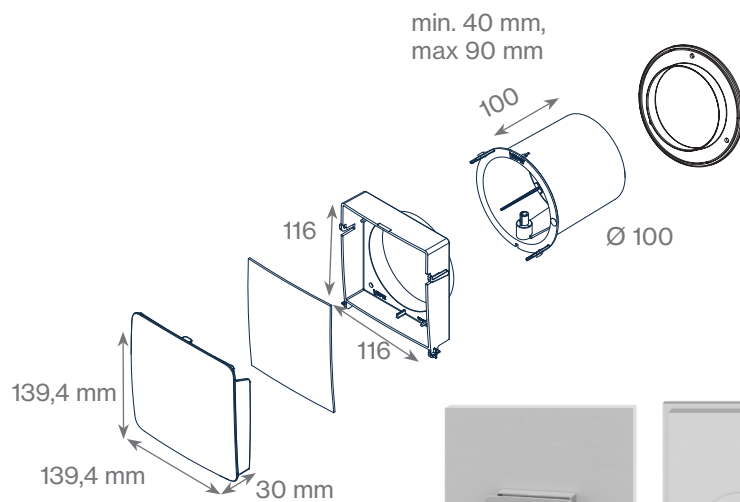
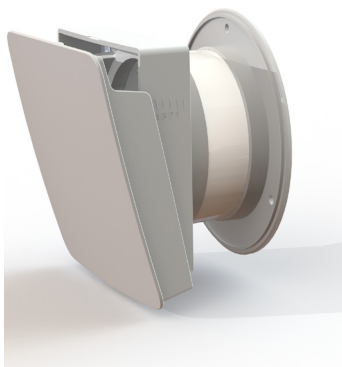
Inside

Outside

VILPE Wive 100 for window vent

Product number

380080



Package includes

- VILPE Wive 100 intake vent
- All screws and plugs needed for installation

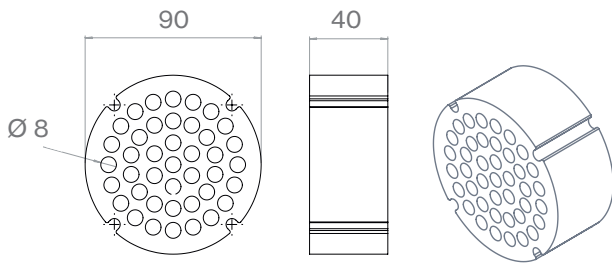


Inside

Outside

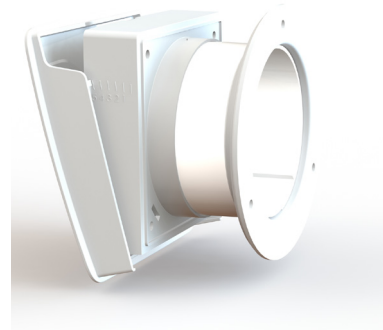
VILPE Wive 100 silencer

Product number
380023

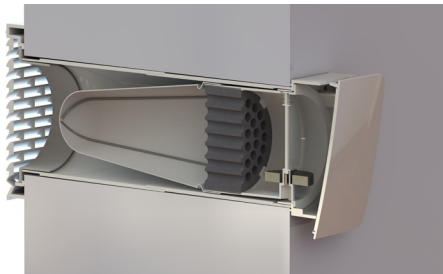


Package includes

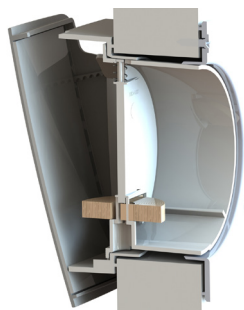
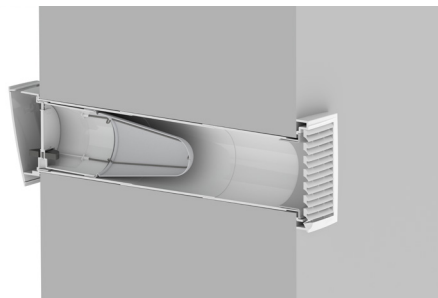
- Silencer



From inside



From outside



Wive

Further information,
installation videos:
vilpe.com/wive